

TIMING GEAR COVERS

CHEVROLET TIMING GEAR COVER

Chevrolet 265-283-327-350* & 400* cu in.

Includes bolts and water pump cam drive. Please specify cam drive needed (see below)

Catalog No.	Item No.
34720	875

*350 and 400 with small Harmonic Balancers - These will only fit a 7" diameter or below harmonic balancer.



CHEVROLET TIMING GEAR COVER

Chevrolet 396 - 427 & 454 cu in.

Mark IV aluminum 10 bolt cover for big block Chevrolet engines.

Includes bolts, water pump cam drive and gasket.

	Catalog No.	Item No.
Mark IV	36920	935

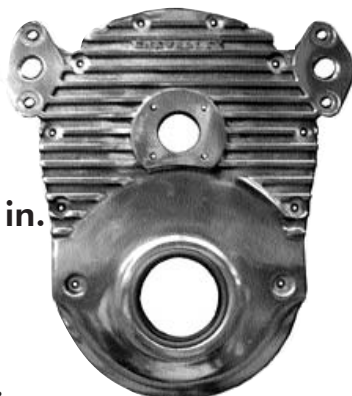


CHEVROLET TIMING GEAR COVER

Chevrolet 454 cu. in.

Mark V Aluminum 10 bolt cover for big block Chevrolet engines. Includes bolts, water pump cam drive and gasket. Please specify cam drive needed (see below)

	Catalog No.	Item No.
Mark V	36985	936

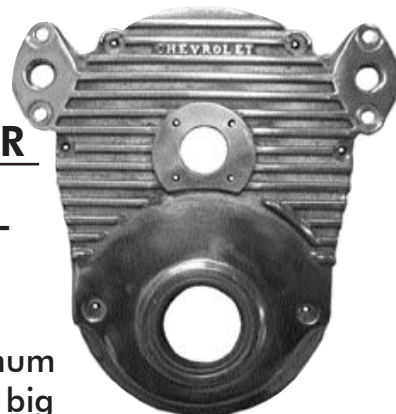


CHEVROLET TIMING GEAR COVER

Chevrolet 454 - 502 cu. in.

Mark VI Aluminum 6 bolt cover for big block Chevrolet engines. Includes bolts, water pump cam drive and gasket. Please specify cam drive needed (see below)

	Catalog No.	Item No.
Mark VI	36986	937



Regular Chevy Cam Drive Specs

Bolt Circle: 1.306
Hole Spread: 1.178" or 1-3/16"

Roller Chevy Cam Drive Specs

Bolt Circle: 1.160
Hole Spread: 1.004" or 1"

PUMP COVER PLATES

OLDSMOBILE 425 & 455 PUMP COVER PLATE

CAST ALUMINUM

Polished water pump cover plate. Ideal for jet installations. Furnished with bolts.

Catalog No.	Item No.
27620	691

FORD 429 & 460 PUMP COVER PLATE

CAST ALUMINUM

Polished water pump cover plate. Ideal for jet installations. Furnished with bolts.

Catalog No.	Item No.
27820	693

OLDSMOBILE 425 & 455 CAM DRIVEN WATER PUMP COVER PLATE

CAST ALUMINUM

Pump cover plate is made to use with stock steel timing chain cover. Furnished with cam drive and bolts.

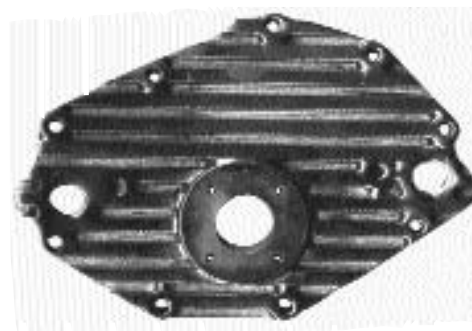
Catalog No.	Item No.
27685	1665

FORD 429 & 460 CAM DRIVEN WATER PUMP COVER PLATE

CAST ALUMINUM

Pump cover plate is made to use with stock aluminum timing chain cover. Furnished with cam drive and bolts.

Catalog No.	Item No.
27885	1675



COVER PLATES

WATER COVER PLATES

CAST ALUMINUM AND POLISHED
SOLD BY THE PAIR

CHEVROLET

265, 283, 327
and 350

Catalog No.	Item No.
27220	688



CHEVROLET

396, 427 and 454

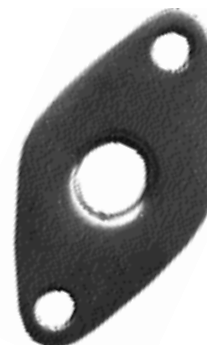
Catalog No.	Item No.
27720	692



FORD

390, 406 and 427

Catalog No.	Item No.
27320	689



PONTIAC

389 and 421

Catalog No.	Item No.
27420	690



COVER PLATES • WATER DIVIDERS

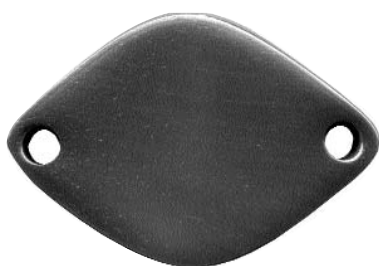
THERMOSTAT COVER PLATES

CAST ALUMINUM

To block off thermostat opening in the intake manifold. Polished finish.

CHEVROLET

Catalog No.	Item No.
27027	1263



FORD - 429-460

Catalog No.	Item No.
27026	686



WATER DISCHARGE DIVIDERS

CAST ALUMINUM



Ford 332-352-390-406-427 & 428 cu. in.

Polished aluminum alloy. Provides for equal discharge of water and easy connection of water hoses.

Catalog No.	Item No.
27023	683

WATER DISCHARGE DIVIDERS

CAST ALUMINUM



Allows water lines to be connected to water cooled exhaust manifolds or elbows with equal discharge rate.

	Catalog No.	Item No.
Chevrolet	27022	682
Oldsmobile	27024	684
Pontiac	27025	685